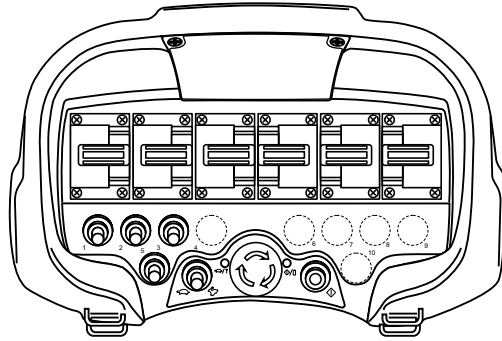


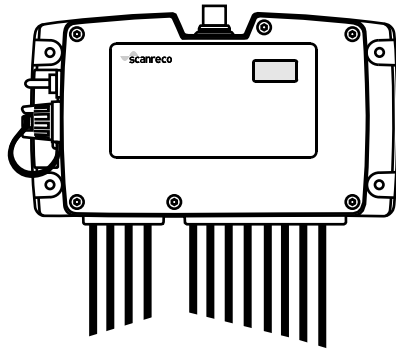
PORTABLE
CONTROL
UNIT

Type 48669



CENTRAL
UNIT G2B

Type 3010



Power supply
AUX

Have proportional
modules outputs with
DIN connectors

Battery



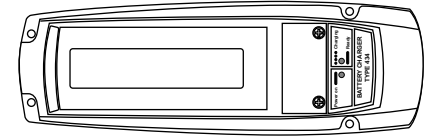
x2

Antenna



x1

Battery charger



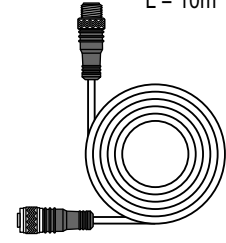
x1

Neck belt

x1



Programming cable
L = 10m



x1

Manual & Documents

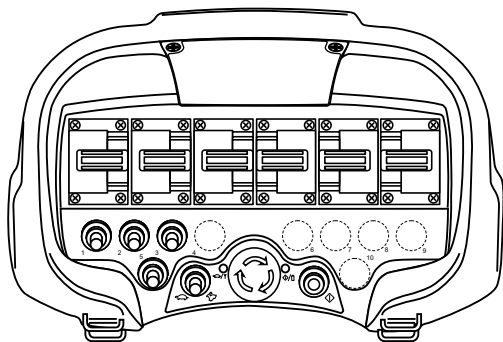


ACCESSORIES

		CODE: PR5MBH26SSSEO3 CUST. CODE: -
DESC: Scanreco RC400 G2B radio remote control global view with mini PCU and PWM Hawe outputs		
FILE: ...I\OK Polonia\Radio\G2B\3010 DinS mini 6L\PR5MBH26SSSEO3-0.cdr		
DATE: 02/01/18	REV. 0	SHEET 1 OF 3

0	02/01/2018	Date
FF	Designed	Description
2	1	

1A 2A 3A 4A 5A 6A
 ↑↓ ↑↓ ↑↓ ↑↓ ↑↓ ↑↓
 1B 2B 3B 4B 5B 6B

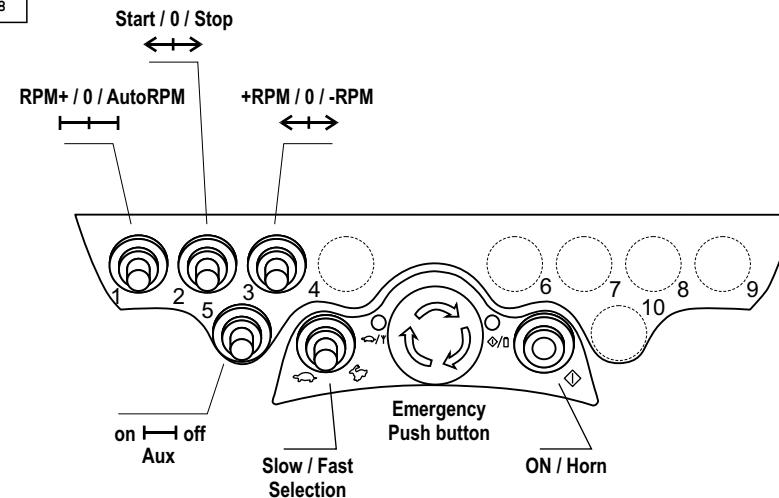


Switch connections

	left/up	center	right/down
SW1:	1 - 0 - 8		
SW2:	2 > 0 < 3		
SW3:	4 > 0 < 5		
SW5:	9+6 - 0		
⏹	- = detent		
↔	>/< = spring return		

Outputs map

pos	DF	OUT	pos	DF	OUT
1	1	1	11	10	12
2	3	2	12	11	13
3	4	3	13	12	14
4	7	4	14	13	-
5	31	5	15	9	-
6	5	6	16	8	-
7	32	-	17	37	-
8	2	-	18	34	-
9	6	10	19	35	-
10	33	11	20	36	-
Clacson/Horn			17	7	
Emergency Stop			40	8	



PCU configuration:

- PCU off time = 5 min.
- Disconnect LED activated.
- 5 levels of speed reduction active (Micro).

CU configuration:

- CAN bus:
ID 100
Baud rate 250Kbps.
Slave.
CAN filter active.
Error Frame control not active.
Termination not active.
- Two SETs of speed:
SET1 multifunction.
SET2 monofunction with reduced speed (WMB mode = work man basket).
SET2 is selected when Ex1.10 wire is not connected to Ex1.11 wire).
Zero position requested for levers to come back from SET2 to SET1.
- Functions 2A and 4A are blocked when input Din1 (wire Ex1.8) is not connected to positive.
- Function 3A is blocked when input Din2 (wire Ex1.9) is not connected to positive.
- Function 3B is blocked when input Din4 (wire Ex2.8) is not connected to positive.
- Zero position requested for levers to release the blocks.

Digital outputs:

- Maximum current: 1.8A.
- Emergency stop output (Out8): positive when PCU is connected with CU.

DV output:

- Activated with proportional levers.
- Maximum current: 2A.
- DV delay off: 0.5 sec.

PWM outputs:

- The loads connected to the PWM outputs must have a minimum impedance of 3.7 Ohm at 12Vdc and a maximum current of 2500mA.
- Calibrations for 24Vdc HAWE proportional modules:
Imin. = 300mA, Imax. = 700mA, Frequency = 70Hz and Dither 300.

General information:

- The programming cable is used to bypass radio mode or to program the radio remote control.
- Working frequency (Europe): 434.050 - 434.550 MHz.
- For all other radio remote control information, see the "User manual".

AutoRPM working switch description:

When SW1 is on +RPM (left position) output Out1 remains always ON.
 When SW1 is on AutoRPM (right position) output Out9 is ON while output Out1 turns ON only when a proportional lever is not in center. Out1 turns OFF with a 6 seconds delay after all levers have returned in center. When SW1 is on neutral position, outputs Out1 and Out9 are always off.

Note di produzione:

Pulsantiera:

Tempo di spegnimento pulsantiera = 5 min.
 5 livelli Micro.

Disconnect LED attivo.

Unità Centrale:

SET1 multifunzione e SET2 monofunzione.
 Ritardo spegnimento DV 0.5 sec.
 Tarature speciali per HAWE 24Vdc (vedere valori a fianco).
 Funzioni 2A e 4A bloccate quando Din1 (Ex1.8) non è collegato al positivo.
 Funzione 3A bloccata quando Din2 (Ex1.9) non è collegato al positivo.
 Funzione 3B bloccata quando Din4 (Ex2.8) non è collegato al positivo.
 Richieste leve a zero per rilasciare i blocchi.

CAN bus:

TPDO1 prelevato a valle.
 TPDO3 non attivo.
 Mappatura standard bit1-32.
 Terminazione non attiva.
 Error frame disabilitato.
 CAN filter attivo.
 Slave.

Manuale in inglese.

SW CU: FS51181P

FW: UC 4.40, PCU 1.40 o superiori

		CODE: PR5MBH26SSSEOA3
		CUST. CODE: -
DESC: Scanreco mini PCU configuration and function description.		
FILE: ...\\OK Polonia\Radio\G2B\3010 DinS mini 6L\PR5MBH26SSSEOA3-0.cdr		
DATE: 02/01/18	REV. 0	SHEET 2 OF 3

Conn. K4	Cable	Description
K4.1	Ex1.1	Out1
K4.2	Ex1.2	Out2
K4.3	Ex1.3	Out3
K4.4	Ex1.4	Out4
K4.5	Ex1.5	Out5
K4.6	Ex1.6	Out6
K4.7	Ex1.7	GND
K4.8	Ex1.8	Din1
K4.9	Ex1.9	Din2
K4.10	Ex1.10	Din3
K4.11	Ex1.11	+Vdc in Remote

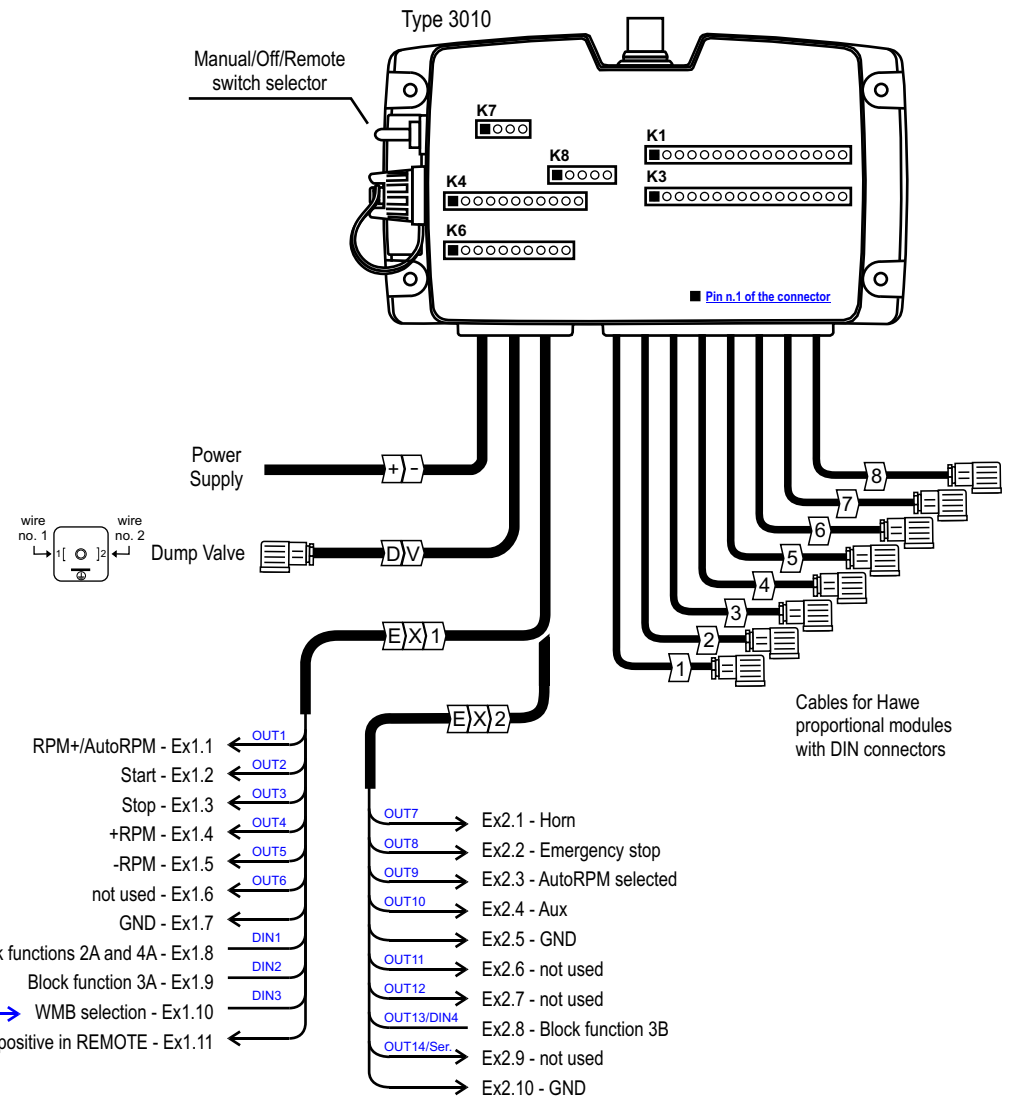
Conn. K6	Cable	Description
K6.1	Ex2.1	Out7
K6.2	Ex2.2	Out8
K6.3	Ex2.3	Out9
K6.4	EX2.4	Out10
K6.5	Ex2.5	GND
K6.6	Ex2.6	Out11
K6.7	Ex2.7	Out12
K6.8	Ex2.8	Out13/Din4
K6.9	Ex2.9	Out14/Serial
K6.10	Ex2.10	GND

Conn. K7	Cable	Description
K7.1	+/-1	+ 24Vdc
K7.2	+/-2	GND
K7.3	DV.1	+ Dump valve
K7.4	DV.2	GND

Conn. K8	Cable	Description
K8.1	-	CAN-H
K8.2	-	CAN-L
K8.3	-	CAN-GND
K8.4	-	CAN-H
K8.5	-	CAN-L

	Conn. K1	Cable	Description
Function no.1	K1.1	1.1	PWM 1a
	K1.2	1.2	GND
	K1.3	1.3	PWM 1b
	K1.4	-	-
Function no.2	K1.5	2.1	PWM 2a
	K1.6	2.2	GND
	K1.7	2.3	PWM 2b
	K1.8	-	-
Function no.3	K1.9	3.1	PWM 3a
	K1.10	3.2	GND
	K1.11	3.3	PWM 3b
	K1.12	-	-
Function no.4	K1.13	4.1	PWM 4a
	K1.14	4.2	GND
	K1.15	4.3	PWM 4b
	K1.16	-	-

	Conn. K3	Cable	Description
Function no.5	K3.1	5.1	PWM 5a
	K3.2	5.2	GND
	K3.3	5.3	PWM 5b
	K3.4	-	-
Function no.6	K3.5	6.1	PWM 6a
	K3.6	6.2	GND
	K3.7	6.3	PWM 6b
	K3.8	-	-
Function no.7	K3.9	7.1	PWM 7a
	K3.10	7.2	GND
	K3.11	7.3	PWM 7b
	K3.12	-	-
Function no.8	K3.13	8.1	PWM 8a
	K3.14	8.2	GND
	K3.15	8.3	PWM 8b
	K3.16	-	-



Wiring harness code/length		Prop . connection
Wiring code: 47752	Wiring code: 48046	<p>DIN</p>
+/- - 2,35m DV - 1,9m EX1 - 2,9m EX2 - 2,9m	Proport. outputs - 1,8m	

		CODE: PR5MBH26SSSEO3
		CUST. CODE: -
DESC: Connections for PWM Have central unit with wirings and DIN connectors.		
FILE: ...\OK Polonia\Radio\G2B\3010 DinS mini 6L\PR5MBH26SSSEO3-0.cdr		
DATE: 02/01/18	REV. 0	SHEET 3 OF 3